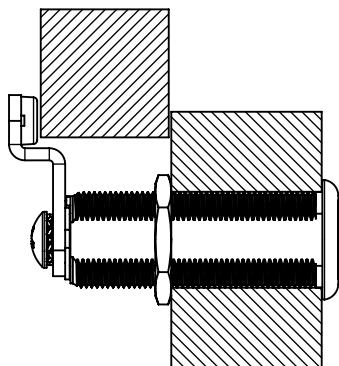
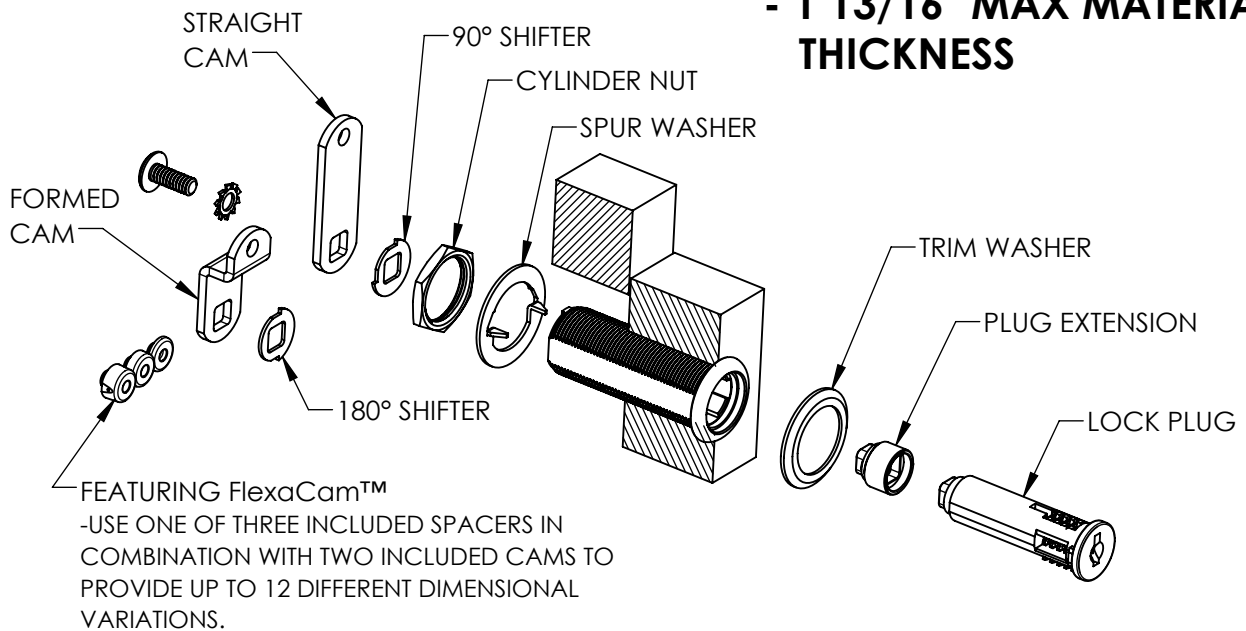
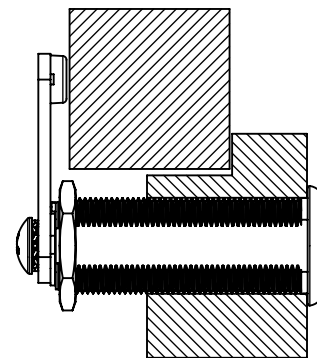


C8061 CAM LOCK

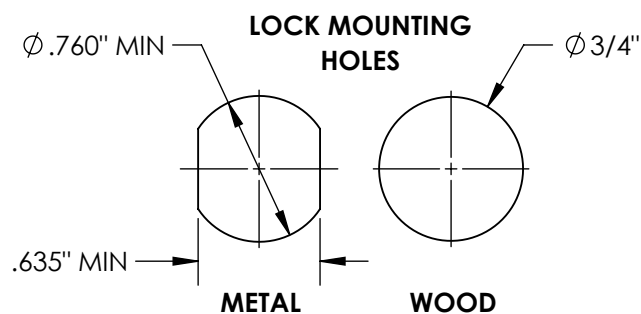
- 5 DISC TUMBLER
- 90° OR 180° CAM TURN
- 2" CYLINDER LENGTH
- 1 13/16" MAX MATERIAL THICKNESS



USE FORMED CAM FOR
OVERLAY APPLICATION



USE STRAIGHT CAM FOR
LIPPED / OVERLAY APPLICATION



NOTE: DO NOT USE SPUR WASHER WITH METAL DOOR OR DRAWER